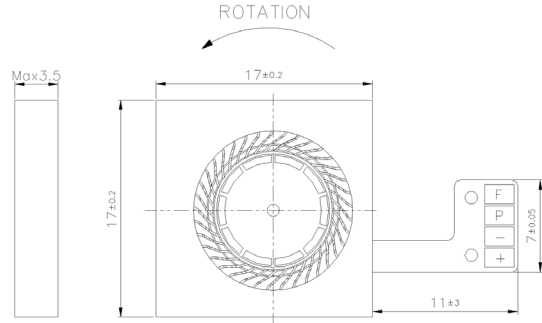
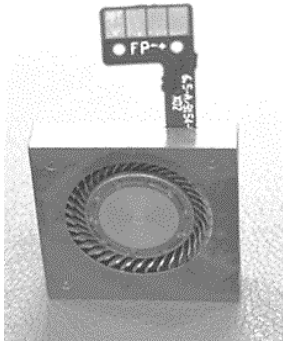
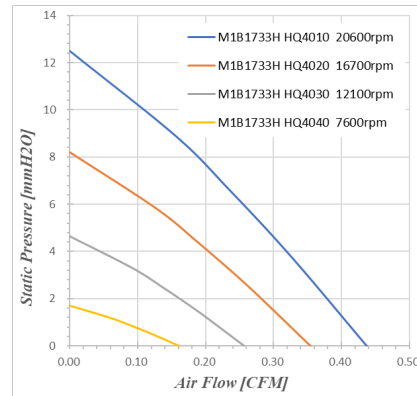


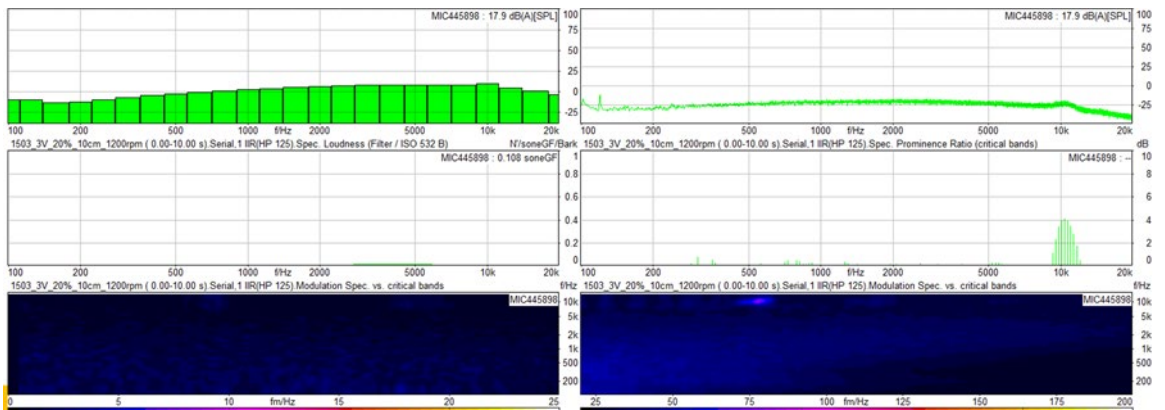
## iMiNi Fan 17\*17\*3 MM Series



Housing : Plastic (UL 94V-0)  
 Impeller : Plastic (UL 94V-0)  
 Bearing Hydraulic Bearing  
 Operating temp : -10 ~ 60°C  
 Mass : 1.09g



### 20% Duty Speed Sound Quality Spectrum



產品別	Model No.	Control Type	Bearing Type	Rated Voltage	Operating Voltage Range	Operating Temp.	Speed	Input Current	Input Power	Maximum Air Flow		Maximum Air Pressure		Noise
				VDC	VDC	°C				R.P.M	Amp	Watt	CFM	
Blower 1703 3V Series	M1B1733H HQ4010	+I-/FG/PWM	Hydraulic	3	2.5~3.5	-10~60	20600	0.25	0.75	0.44	12.40	122.5	12.49	40.0
	M1B1733H HQ4020	+I-/FG/PWM	Hydraulic	3	2.5~3.5	-10~60	16700	0.16	0.48	0.36	10.05	80.5	8.21	35.6
	M1B1733H HQ4030	+I-/FG/PWM	Hydraulic	3	2.5~3.5	-10~60	12100	0.095	0.29	0.26	7.28	45.6	4.65	26.5
	M1B1733H HQ4040	+I-/FG/PWM	Hydraulic	3	2.5~3.5	-10~60	7600	0.043	0.13	0.16	4.58	16.7	1.70	19.4